

LaundryPure™ Specifications

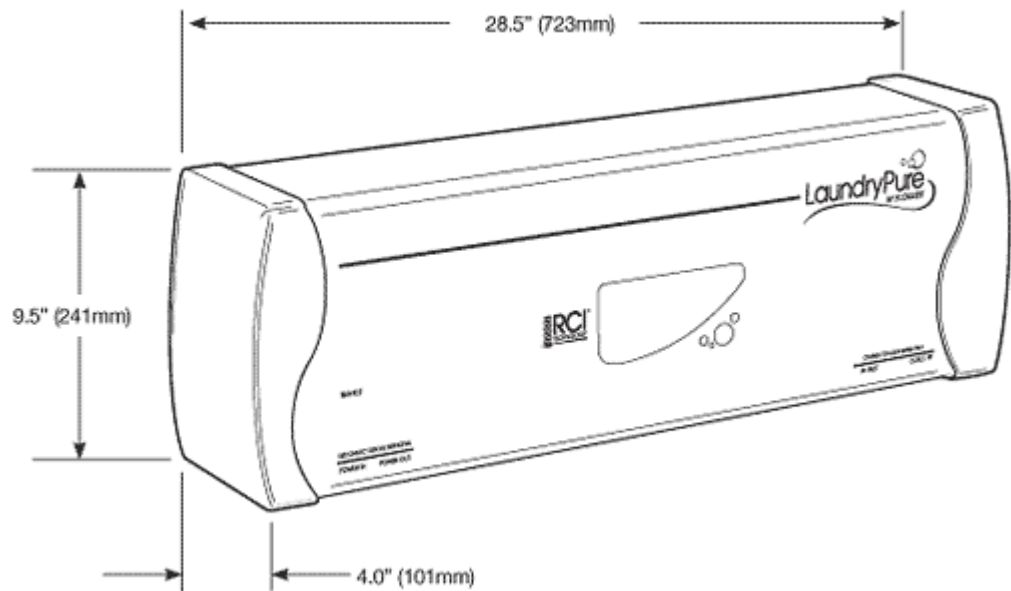
BY ECOQUEST

SPECIFICATIONS

LAUNDRYPURE FAQ

COMPATIBILITIES

RCI TECHNOLOGY



Normal Operation of the Unit:

LaundryPure is designed to work in conjunction with your washing machine, using cold water, silver ions, and [Radiant Catalytic Ionization](#) oxidizers to clean clothes. As your washer begins to fill, LaundryPure will open its internal valve and turn on both the UV bulbs and the Silver Ion Probe.



Once the washing machine has been inactive for five (5) minutes, the LaundryPure will switch off (internal valve closed, UV bulbs off, Silver Ion Probe off).

Specifications:

Electrical:

100 - 277 volt 50/60 Hz
40 watts power consumption

Water Pressure:

Minimum 10 psi
Maximum 75 psi

Operating Temperature:

40°F - 100°F

Dimensions:

28.5 in. x 9.5 in. x 4.0 in.
743 mm x 241 mm x 101 mm

Weight:

13 pounds

RCI Cell Output:

< 0.02 ppm ozone

Warranty:

One (1) Year Limited Warranty
(90 Days on Silver Ion Probe and UV Bulbs) - **US ONLY**